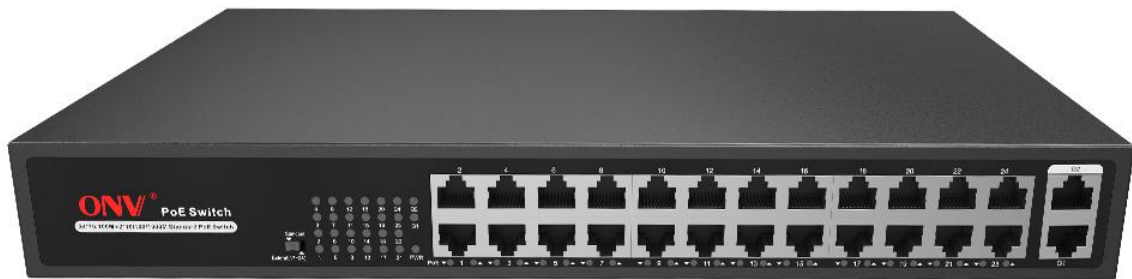


Product Datasheet

26-port Gigabit Uplink PoE Switch

(ONV-H1024PL)



OVERVIEW

The ONV-H1024PL is a Gigabit uplink PoE switch independently developed by ONV. It has 24*10/100M PoE ports and 2*10/100/1000M uplink RJ45 ports. Port 1-24 can support IEEE802.3af/at standard PoE. single port PoE power up to 30W, and the maximum POE output power is 250W. As a PoE power supply device, it can automatically detect and recognize the power receiving equipment that meets the standard and supply power through the network cable. It can supply power to POE terminal equipment such as wireless AP, webcam, VoIP phone, video access control intercom, etc. through network cable to meet the network environment that needs high-density PoE power supply. It is suitable for hotels, campuses, factory quarters and small and medium-sized enterprises to form an economy. Efficient network.

Unmanaged model, plug and play, no configuration, easy to use.

FEATURE

■ 10/100M access, Gigabit uplink

- ◇ Provides 24*10/100M PoE ports and 2*10/100/1000M RJ45 ports for flexible networking and meets the networking requirements of various scenarios.
- ◇ Support non-blocking wire-speed forwarding.
- ◇ Support full-duplex based on IEEE802.3x and half-duplex based on backpressure.

■ Intelligent PoE power supply

- ◇ 24*10/100Base-TX RJ45 ports, meeting the needs of security monitoring, teleconferencing system, wireless coverage, and other scenarios.
- ◇ IEEE802.3af/at PoE standard, without damaging non-PoE devices.
- ◇ Priority system for PoE port, it will supply power to the high priority level port first when the power budget is insufficient and avoid overwork of the device.

■ Stable and reliable, easy to use

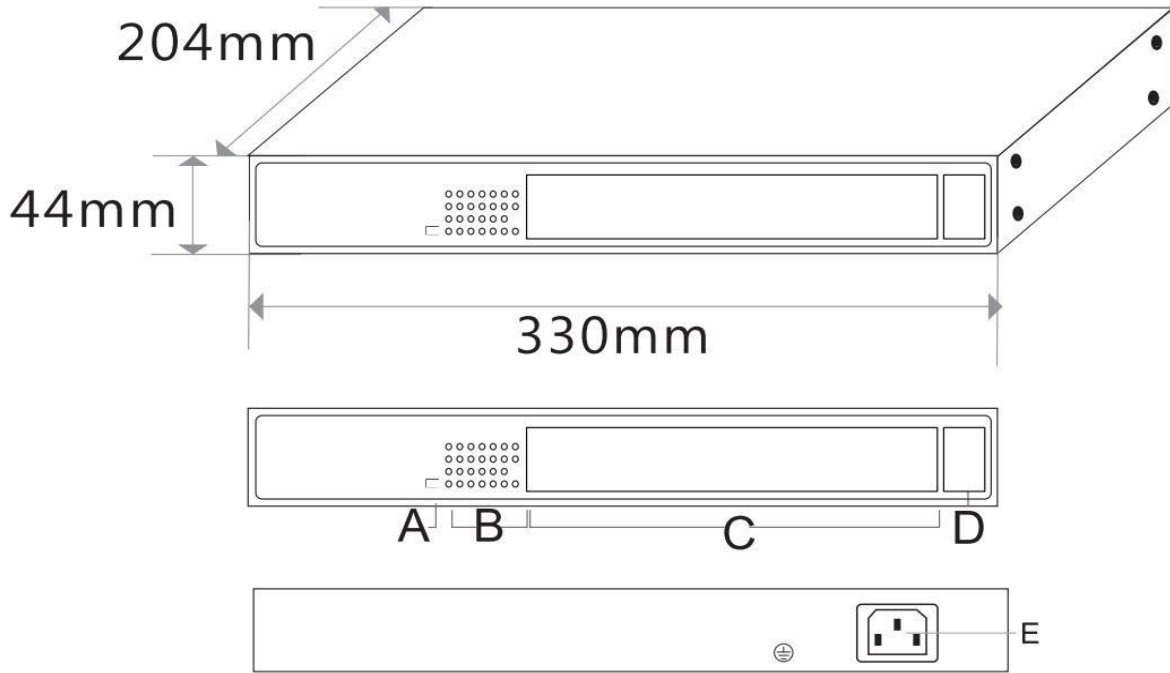
- ◇ CCC, CE, FCC, RoHS.
- ◇ Support desktop and 1U-19 inch cabinet installation.
- ◇ Plug and play, no configuration, simple and convenient.
- ◇ Low power consumption, galvanized steel casing, no fan.
- ◇ The user-friendly panel, it can show the device status through the LED indicator of PWR, Link, PoE.
- ◇ Self-developed power supply, high redundancy design, providing a long term and stable PoE power output.
- ◇ With function switch, port 17-24 can support 10M/250 meters long distance transmission mode when one key is opened.

TECHNICAL SPECIFICATION

Model	ONV-H1016PL	ONV-H1024PL
Interface Characteristics		
Fixed Port	16*10/100Base-TX PoE ports (Data/Power) 2*10/100/1000Base-T uplink RJ45 ports (Data)	24*10/100Base-TX PoE ports (Data/Power) 2*10/100/1000Base-T uplink RJ45 ports (Data)
Ethernet Port	Port 1-16 can support 10/100Base-TX, Port 17-18 can support 10/100/1000Base-T auto-detection, full/half-duplex MDI/MDI-X auto-sensing	Port 1-24 can support 10/100Base-TX, Port 25-26 can support 10/100/1000Base-T auto-detection, full/half-duplex MDI/MDI-X auto-sensing
Functional Switch	After opening, port 9-16 can support 10M/250 meters long distance transmission.	After opening, port 17-24 can support 10M/250 meters long distance transmission.
	Note: when the switch state changes, it must be restarted before the PoE switch function can take effect	
Twisted Pair Transmission	10BASE-T: Cat3,4,5 UTP(≤250 meter) 100BASE-TX: Cat5 or later UTP(≤100 meter) 1000BASE-T: Cat5e or later UTP(≤100 meter)	
Chip Parameter		
Network Protocol	IEEE802.3 10BASE-T, IEEE802.3i 10Base-T IEEE802.3u 100Base-TX, IEEE802.3ab 1000Base-T, IEEE802.3x	
Forwarding Mode	Store and Forward(Full Wire Speed)	
Switching Capacity	14.8Gbps (Non-blocking)	
Forwarding Rate@64byte	5.36Mpps	6.55Mpps
MAC	16K	

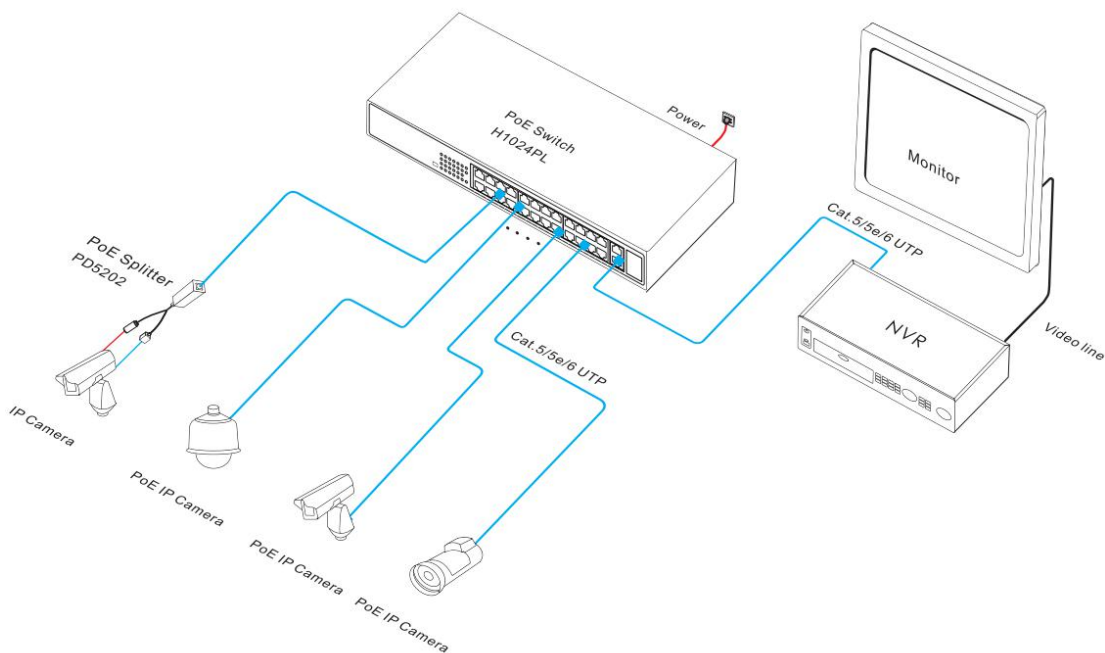
Buffer Memory	4M	
Jumbo Frame	9.6K	
LED Indicator	Power:PWR (green), network : Link(yellow),PoE: PoE (green)	
PoE & Power		
PoE Port	Port 1 to 16	Port 1 to 24
Power Supply Pin	Default 1/2(+), 3/6(-), optional 4/5(+), 7/8(-)	
Max Power Per Port	30W, IEEE802.3af/at	
Total PWR / Input Voltage	200W (AC100-240V)	250W (AC100-240V)
Power Consumption	Standby<15W, Full load <240W	Standby <20W, Full load <250W
Power Supply	Built-in switching power supply, AC100~240V 50-60Hz 4.1A	
Physical Parameter		
Operation TEMP / Humidity	-20~+55°C;5%~90% RH Non condensing	
Storage TEMP / Humidity	-40~+75°C;5%~95% RH Non condensing	
Dimension (L*W*H)	270*181*44.5mm	330*204*44mm
Net /Gross Weight	<1.7kg / <2.2kg	<2.3kg / <3kg
Installation	Desktop, wall mounted	
Certification & Warranty		
Lightning protection / protection level	Lightning protection: 4KV 8/20us; Protection level: IP30	
Certification	CCC, CE mark, commercial, CE/LVD EN60950, FCC Part 15 Class B, RoHS	
Warranty	1 year, lifelong maintenance.	

DIMENSION



- A. Multi-functional switch
- B. PoE work indicator
- C. 24*10/100M PoE ports
- D. 2*10/100/1000M uplink RJ45 ports
- E. Power input port AC100-240V, 50/60Hz

APPLICATION



ORDERING INFORMATION

Model	Description
ONV-H1016PL	Unmanaged PoE switch with 16* 10/100M PoE ports and 2* 10/100/1000M uplink RJ45 ports. Port 1-16 can support IEEE802.3af/at PoE standard. Adjust function switch, Port 9-16 can support 10M/250m transmission. Built-in 200W power supply.
ONV-H1024PL	Unmanaged PoE switch with 24* 10/100M PoE ports and 2* 10/100/1000M uplink RJ45 ports. Port 1-24 can support IEEE802.3af/at PoE standard. Adjust function switch, Port 17-24 can support 10M/250m transmission. Built-in 250W power supply.

PACKING LIST

	CONTENT	QTY	UNIT
PACKING LIST	26-port gigabit uplink PoE switch	1	SET
	AC Power Cable	1	PC
	Mounting Kits	1	SET
	User Guide	1	PC
	Warranty Card	1	PC

CONTACT US



OPTICAL NETWORK VIDEO TECHNOLOGIES (SHENZHEN) CO., LTD.

Tel: 0086-755-33376606

Fax: 0086-755-33376608

Email: onv@onv.com.cn

Website: www.onvcom.com

Zip: 518000

Headquarter Address: Room 1003, Block D, Terra Building, Futian District, Shenzhen, China

Factory Address: The 4-6th Floor, No. 59, Huaning Road, Xinwei Community, Dalang Street,
Longhua District, Shenzhen, China

